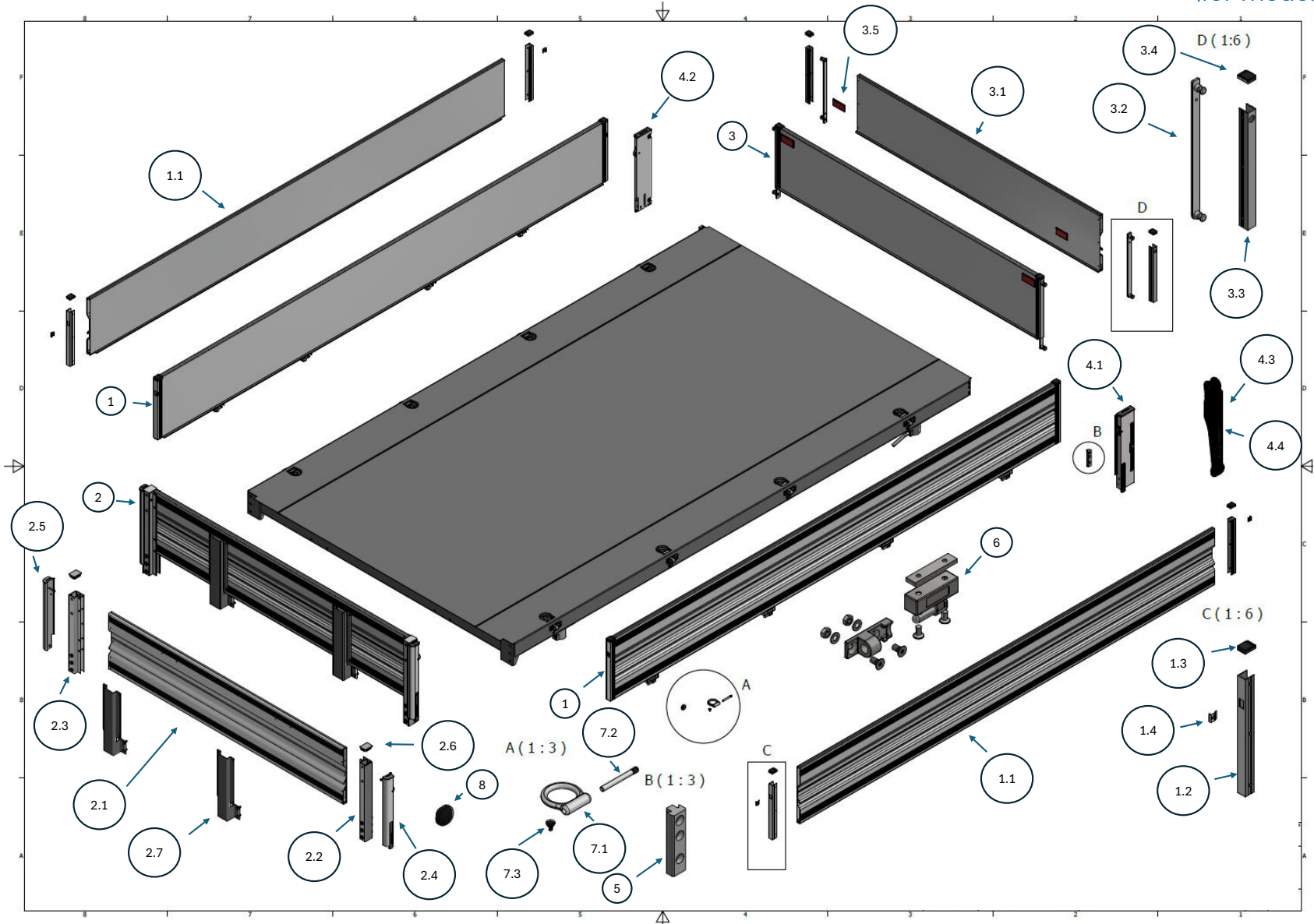
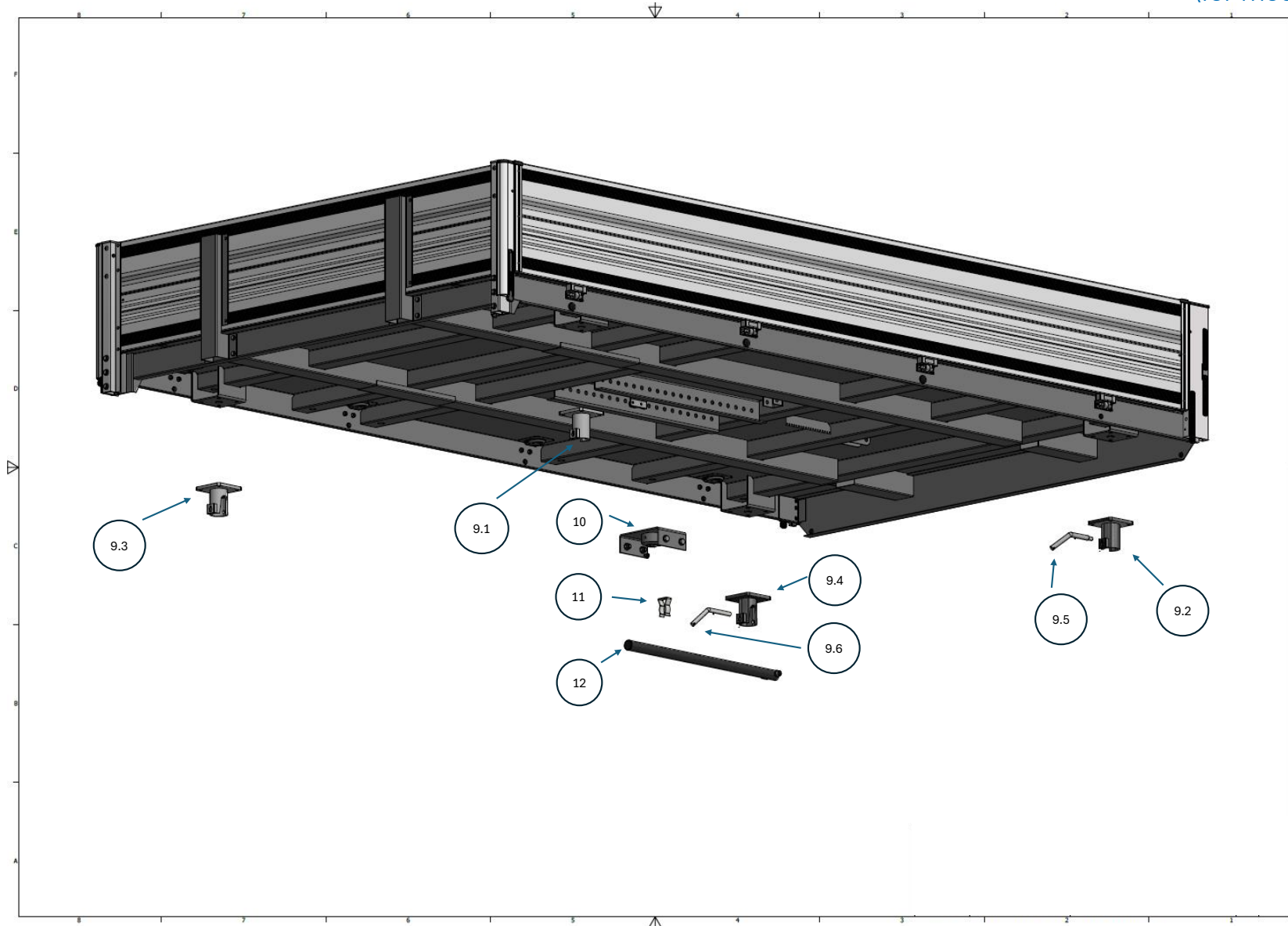


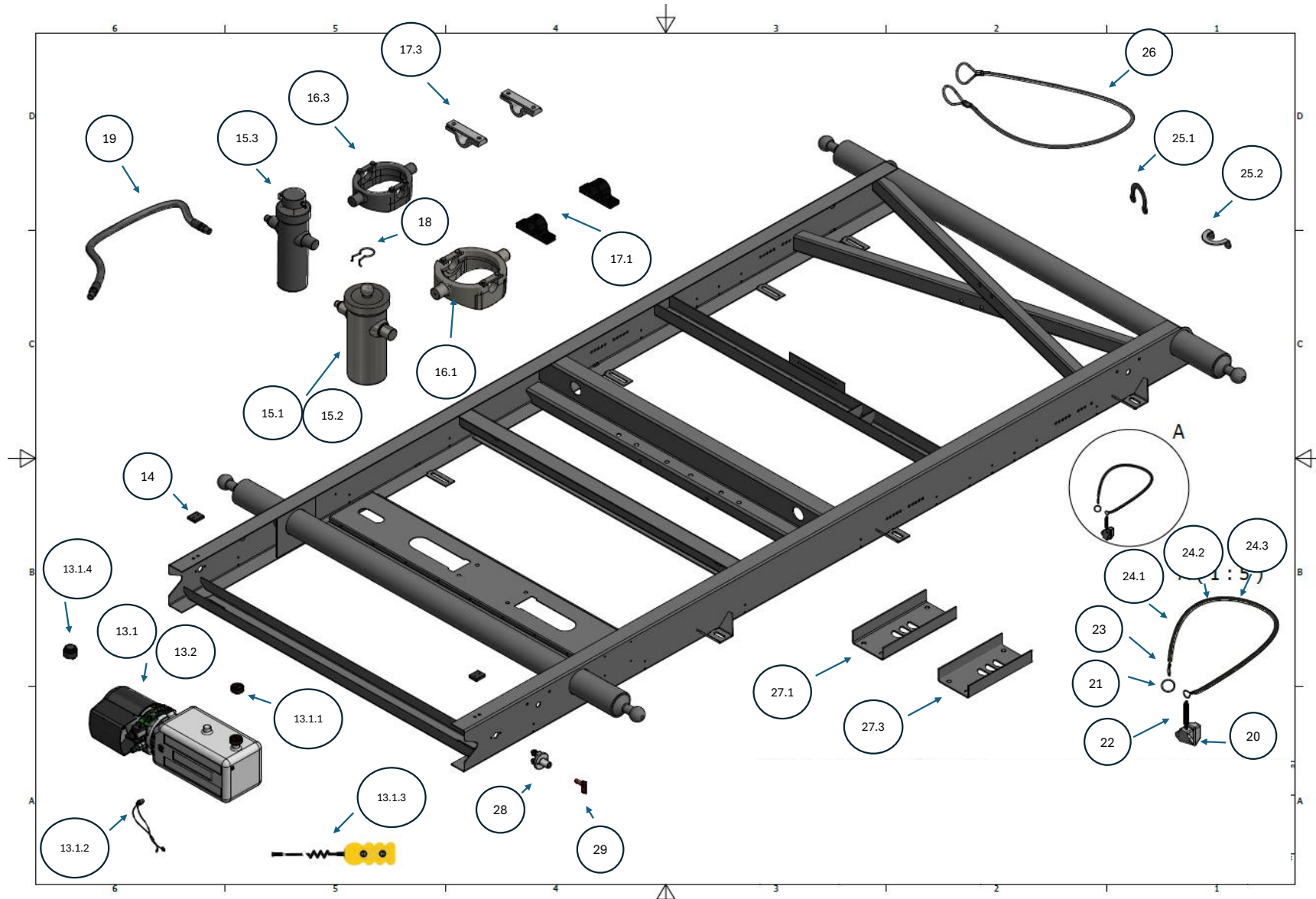
SPARE PARTS
(for models since 2013)



SPARE PARTS
(for models since 2013)



SPARE PARTS
(for models since 2013)



SPARE PARTS
(for models since 2013)

NUMBER	DESCRIPTION	PIECE/SET	ORDER NUMBER
1	Side panel complete	Piece	on request
1.1	Side panel profile aluminium, milled	Piece	on request
1.2	Edge protection 400 mm	Piece	140035
1.3	Plastic corner	Piece	140042
1.4	Wear protection	Piece	140037
2	Front panel complete	Piece	on request
2.1	Aluminium panel profile, milled	Piece	on request
2.2	Armaton profile left L 543 mm	Piece	155033
2.3	Armaton profile right L 543 mm	Piece	155034
2.4	Front left lock	Piece	140032
2.5	Front lock right	Piece	140033
2.6	Plastic cover 60x45 mm	Piece	186635
2.7	Omega tipper	Piece	on request
3	Rear panel complete	Piece	on request
3.1	Side panel profile aluminium, milled	Piece	on request
3.2	ZSB pendulum hinge	Piece	127001
3.3	Edge protection pendulum panel	Piece	140036
3.4	Plastic corner	Piece	140042
3.5	Reflector	Piece	219024
4.1	Rear left-hand lock	Piece	140030
4.2	Rear right lock	Piece	140031
4.3	Armaton lever long 180 mm (for side panel lock)	Piece	140078
4.4	Armaton lever short 140 mm (for rear panel lock)	Piece	140079
5	Stanchion fastening 100 mm (including screws)	Set	on request
6	Panel hinge set (including screws, threaded plates, plastic insert)	Set	140088
7.1	Lashing eye ring - Delta Protekt	Piece	186750

SPARE PARTS
 (for models since 2013)

NUMBER	DESCRIPTION	PIECE/SET	ORDER NUMBER
7.2	Lashing eye pin 800 daN	Piece	140025
7.3	Lashing eyelet rubber damper	Piece	140026
8	Rubber damper Ø 29 mm	Piece	140027
9.1	Tilting joint upper part front left 14 mm	Piece	140941
9.2	Tilting joint upper part rear left 16/12 mm	Piece	140943
9.3	Tilting joint upper part front right 16/12 mm	Piece	140942
9.4	Tilt joint upper part rear right 14 mm	Piece	140944
9.5	Safety bolt large 16/12 mm (for 9.2, 9.3)	Piece	140049
9.6	Locking pin small 14 mm (for 9.1, 9.4)	Piece	140048
10	ZSB hydraulic cylinder support (including bolts, nuts) suitable for 4-, 5- and 6-stage hydraulic cylinders	Set	on request
11	Pipe clip	Piece	156006
12	Tube Ø 35x2 mm, L 750 mm (including bolts, nuts)	Piece	on request
13.1	Hydraulic pump Hydroven 12V / 8l (for 15.1 and 15.2)	Piece	165100
13.1.1	Lock	Piece	168055
13.1.2	Pressure sensor	Piece	165128
13.1.3	Remote control	Piece	168019
13.1.4	Buzzer	Piece	165127
13.3	Hydraulic pump Hydroven 12V / 5l (for 15.3)	Piece	165101
14	Rubber damper	Piece	219031
15.1	Hydraulic cylinder 6-stage	Piece	165006
15.2	Hydraulic cylinder 5-stage	Piece	165005
15.3	Hydraulic cylinder 4-stage	Piece	165004
16.1	Hydraulic cylinder saddle (for 15.1 and 15.2)	Piece	161607
16.3	Hydraulic cylinder saddle (for 15.3)	Piece	161616
17.1	Hydraulic cylinder bearing (for 15.1 and 15.2)	Set	161608
17.3	Hydraulic cylinder bearing part 1 + part 2 (for 15.3)	Set	161617

SPARE PARTS
 (for models since 2013)

NUMBER	DESCRIPTION	PIECE/SET	ORDER NUMBER
18	Hydraulic cylinder ball joint Spring washer	Piece	140059
19	Hydraulic hose 1/2' 1.5 m	Piece	168500
20	Hella switch	Piece	161512
21	Cable ring Ø 20 mm	Piece	161510
22	Spring 50 mm	Piece	161511
23	Corrugated tube 12/9	Piece	186653
24.1	Switch cable Ø 1 mm, L 770 mm	Piece	161507
24.2	Switch cable Ø 1 mm, L 700 mm	Piece	161528
24.3	Switch cable Ø 1 mm, L 610 mm	Piece	161519
25.1	Retaining cable eyelet	Piece	161302
25.2	Retaining cable eye L	Piece	161309
26	Retaining cable Ø 8 mm, L 830 mm	Piece	161508
27.1	Reinforcement cylinder support tube support (for 15.1 and 15.2)	Piece	161195
27.3	Short cylinder support tube support reinforcement (for 15.3)	Piece	161197
28	Hella ground switch incl. key	Set	168003
29	Red key Main switch	Piece	168013